



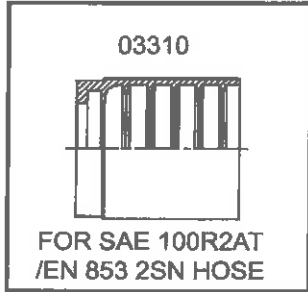
Hydraulic Equipment Sales and Service

## STAINLESS STEEL CATALOGUE

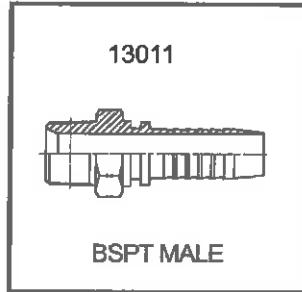


DIMENSIONS AND PART NUMBERS ARE SUBJECT TO CHANGE WITHOUT NOTICE

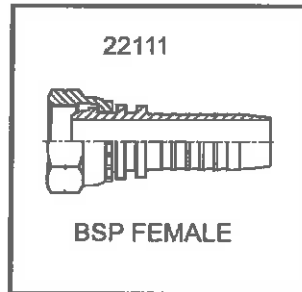
# HOSE TAILS INDEX



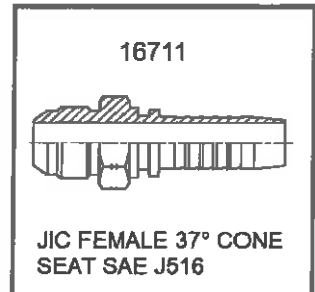
**PAGE A-3**



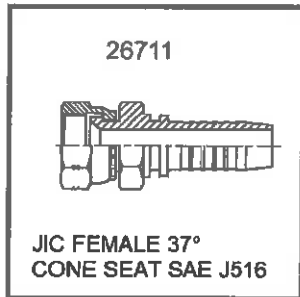
**PAGE A-4**



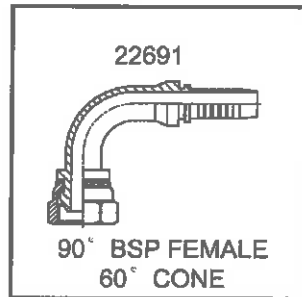
**PAGE A-5**



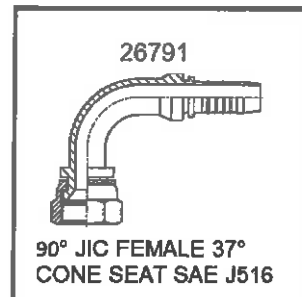
**PAGE A-6**



**PAGE A-7**



**PAGE A-8**



**PAGE A-9**

- SAE100R2AT COMPATIBLE
- NON-SKIVE
- TWO PIECE DESIGN
- 316 STAINLESS STEEL
- HOSETAILS AND FERRULES SOLD INDIVIDUALLY

**NOTE:** THIS PRODUCT MEETS AND EXCEEDS THE REQUIRED SPECIFICATIONS WHEN USED WITH RYCO E2 AND T2D SERIES HOSE. GERRARD HYDRAULICS DOES NOT WARRANT USE WITH OTHER BRANDED PRODUCT.

## ABBREVIATIONS

**BSP** British Standard Pipe

**BSPP** British Standard Pipe Parallel Thread

**BSPT** British Standard Pipe Taper Thread

**BSPTFF** British Standard Pipe Taper Female Fixed

**BSPTM** British Standard Pipe Taper Male

**JIC** Joint Industries Council (Thread UN)

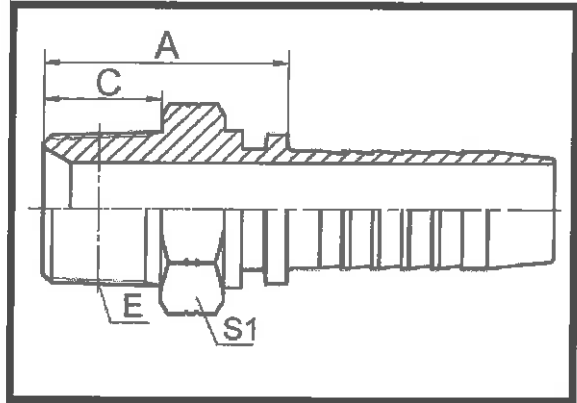
**JICFS** JIC Female Swivel

**S03310**  
**CRIMP FERRULE**



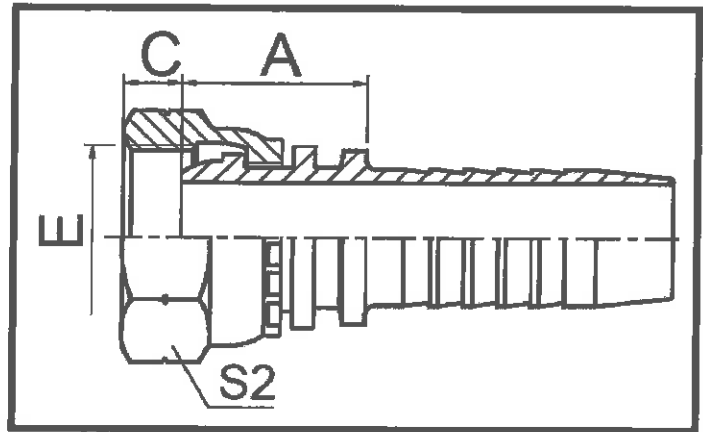
PART NUMBER	HOSE SIZE	CRIMP DIAMETER
S03310-04-316	1/4	19.0 mm
S03310-06-316	3/8	21.9 mm
S03310-08-316	1/2	24.6 mm
S03310-12-316	3/4	31.9 mm
S03310-16-316	1	39.6 mm

**S13011**  
**BSPT MALE HOSETAIL**



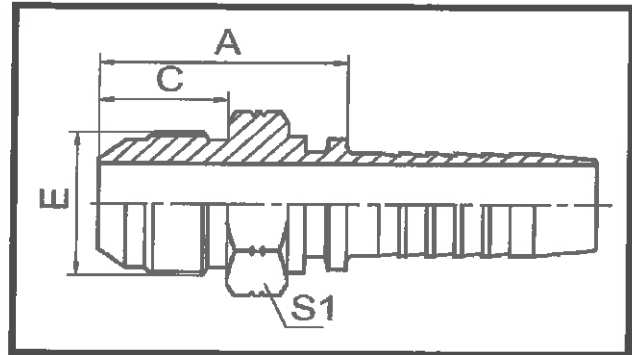
PART NUMBER	THREAD E	HOSE SIZE		DIMENSIONS (mm)		
		DASH	DN	A	C	S1
S13011-04-04-316	BSPT 1/4 X 19	04	6	27	14.5	14
S13011-06-06-316	BSPT 3/8 X 19	06	10	27.5	15	17
S13011-08-08-316	BSPT 1/2 X 14	08	12	35	20	22
S13011-12-12-316	BSPT 3/4 X 14	12	20	38.5	20	27
S13011-16-16-316	BSPT 1 X 11	16	25	45	25.5	36

**S22111**  
**BSP FEMALE**  
**HOSETAIL**



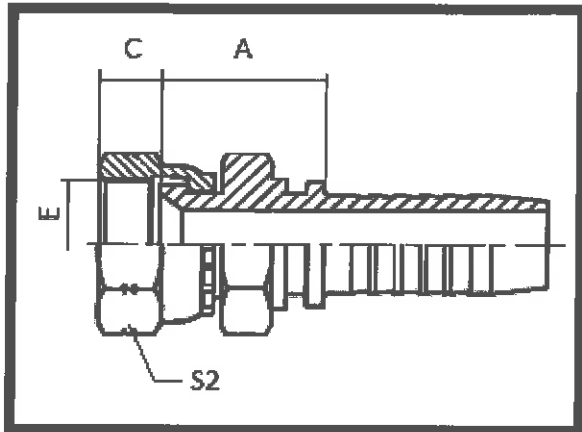
PART NUMBER	THREAD E	HOSE SIZE		DIMENSIONS (mm)		
		DASH	DN	A	C	S2
S22111-04-04-316	BSP FEM 1/4 X 19	04	6	19.5	4	19
S22111-06-06-316	BSP FEM 3/8 X 19	06	10	20.5	5	22
S22111-08-08-316	BSP FEM 1/2 X 14	08	12	23	6	27
S22111-12-12-316	BSP FEM 3/4 X 14	12	20	26	9.5	32
S22111-16-16-316	BSP FEM 1 X 11	16	25	36.28	11	14

**S16711**  
**JIC MALE HOSETAIL**



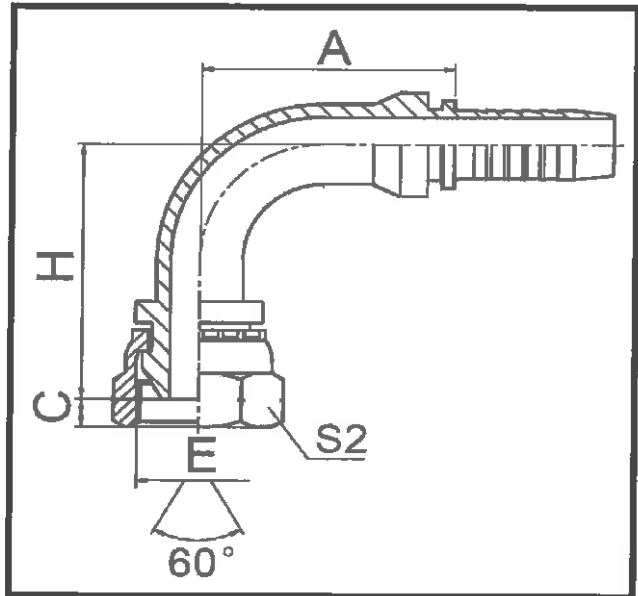
PART NUMBER	THREAD E	HOSE SIZE		DIMENSIONS (mm)		
		DASH	DN	A	C	S1
S16711-04-04-316	JIC MALE 7/16	04	6	26.5	14	12
S16711-06-06-316	JIC MALE 9/16	06	10	26.5	14.1	17
S16711-08-06-316	JIC MALE 3/4	06	10	31.5	16.7	22
S16711-08-08-316	JIC MALE 3/4	08	12	32	16.7	22
S16711-10-08-316	JIC MALE 7/8	08	12	34	19.3	24
S16711-12-12-316	JIC MALE 1-1/16	12	20	40	21.9	30
S16711-16-16-316	JIC MALE 1-5/16	16	25	43.5	23.1	36

**S26711**  
**JIC FEMALE HOSETAIL**



PART NUMBER	THREAD E	HOSE SIZE		DIMENSIONS (mm)		
		DASH	DN	A	C	S2
S26711-04-04-316	JIC FEM 7/16	04	6	15	9	15
S26711-06-04-316	JIC FEM 9/16	04	6	15.5	10.5	19
S26711-06-06-316	JIC FEM 9/16	06	10	15.5	10.5	19
S26711-08-06-316	JIC FEM 3/4	06	10	17.5	11	24
S26711-08-08-316	JIC FEM 3/4	08	12	18	11	24
S26711-10-08-316	JIC FEM 7/8	08	12	18.5	13	27
S26711-12-12-316	JIC FEM 1-1/16	12	20	21.5	15	32
S26711-16-16-316	JIC FEM 1-5/16	16	25	23	16	41

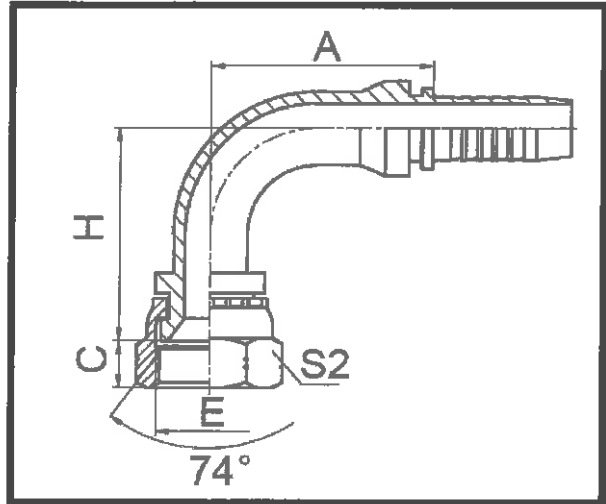
**S22691**  
**BSP FEMALE 90° HOSETAIL**



PART NUMBER	THREAD E	HOSE SIZE		DIMENSIONS (mm)		
		DASH	DN	A	C+H	S2
S22691-04-04-316	BSP FEM 1/4 X 19	04	6	30	42	19
S22691-06-06-316	BSP FEM 3/8 X 19	06	10	35.3	49.3	22
S22691-08-08-316	BSP FEM 1/2 X 14	08	12	41	58.5	27
S22691-12-12-316	BSP FEM 3/4 X 14	12	20	64.9	78	32
S22691-16-16-316	BSP FEM 1 X 11	16	25	76.7	85.5	41

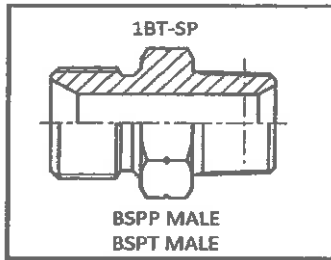


**S26791**  
**JIC FEMALE 90° HOSETAIL**

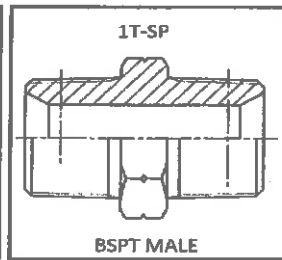


PART NUMBER	THREAD E	HOSE SIZE		DIMENSIONS (mm)		
		DASH	DN	A	C+H	S2
S26791-04-04-316	JIC FEM 7/16	04	6	30	42.5	15
S26791-06-06-316	JIC FEM 9/16	06	10	35.3	49.8	19
S26791-08-06-316	JIC FEM 3/4	06	10	35.3	52.3	24
S26791-08-08-316	JIC FEM 3/4	08	12	41	58.5	24
S26791-10-08-316	JIC FEM 7/8	08	12	41	61	27
S26791-12-12-316	JIC FEM 1-1/16	12	20	65.5	78.5	32
S26791-16-16-316	JIC FEM 1-5/16	16	25	76.7	86	41

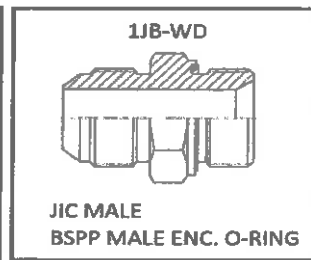
# ADAPTORS INDEX



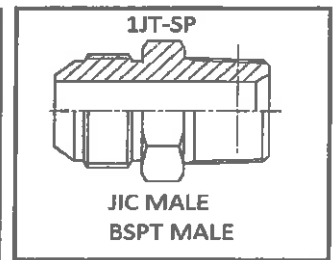
**PAGE B-3**



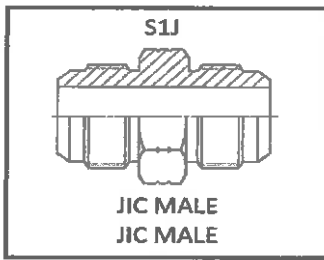
**PAGE B-4**



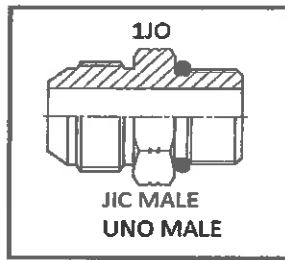
**PAGE B-5**



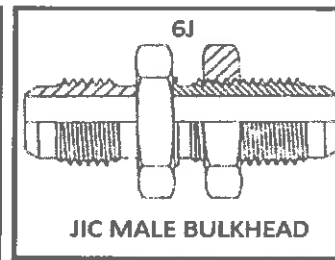
**PAGE B-6**



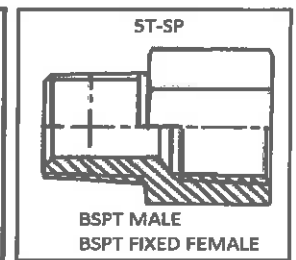
**PAGE B-7**



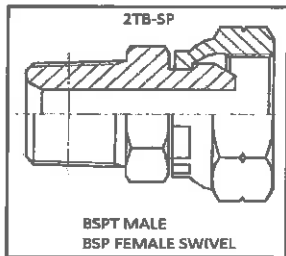
**PAGE B-8**



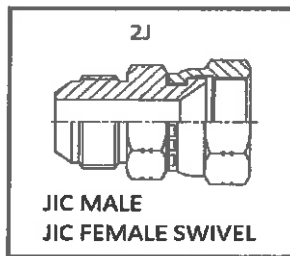
**PAGE B-9**



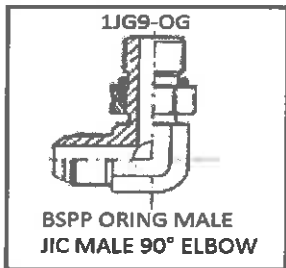
**PAGE B-10**



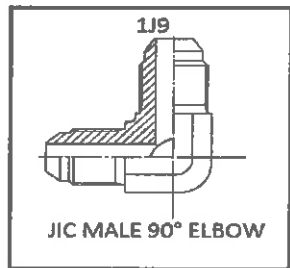
**PAGE B-11**



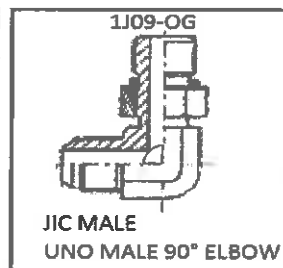
**PAGE B-12**



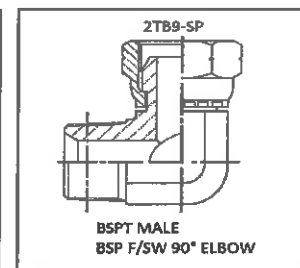
**PAGE B-13**



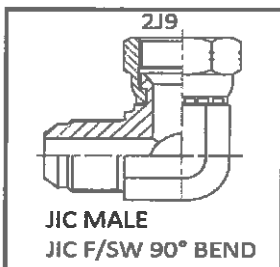
**PAGE B-14**



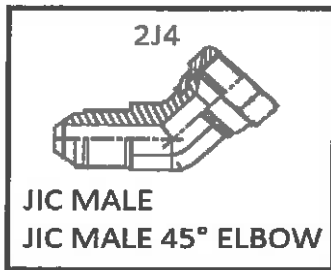
**PAGE B-15**



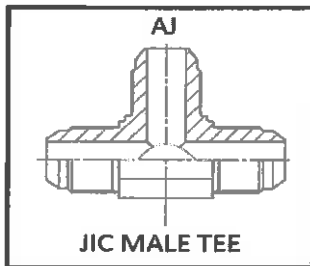
**PAGE B-16**



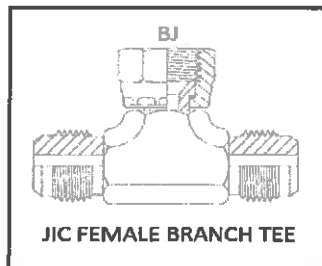
**PAGE B-17**



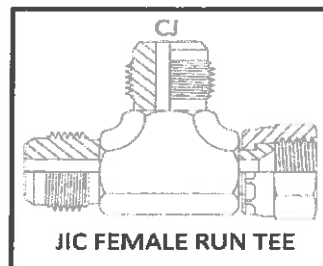
**PAGE B-18**



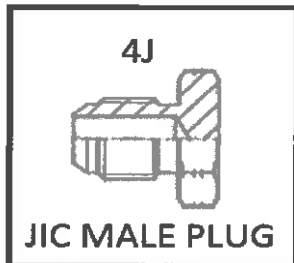
**PAGE B-19**



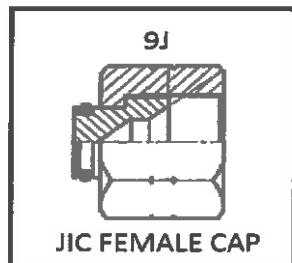
**PAGE B-20**



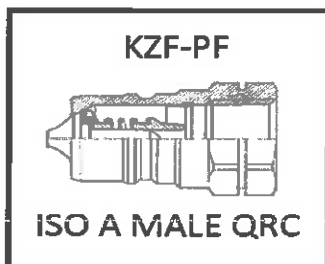
**PAGE B-21**



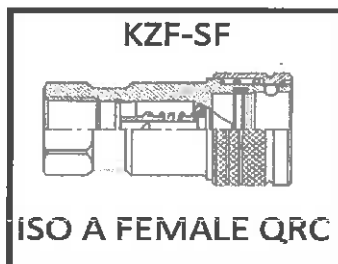
**PAGE B-22**



**PAGE B-23**

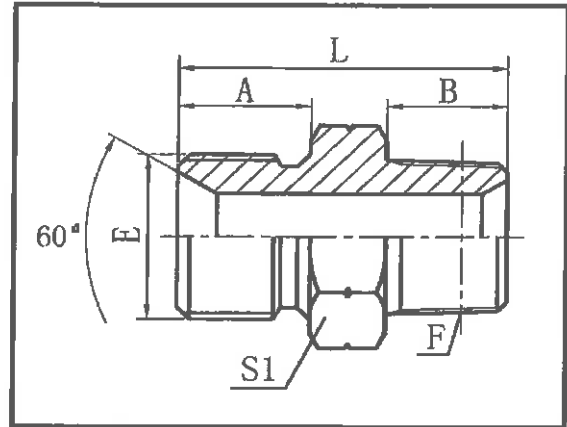


**PAGE B-24**



**PAGE B-25**

**S1BT-SP**  
**BSPP MALE X BSPT MALE**



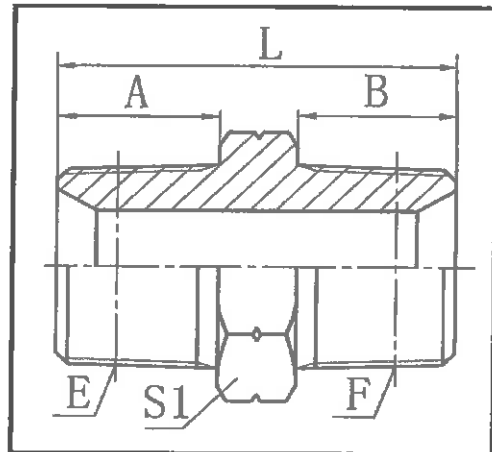
PART NUMBER	THREAD		DIMENSIONS (mm)			
	E	F	A	B	L	S1
S1BT-04SP-316	1/4 BSPP	1/4 BSPT	12	14.5	30.5	17
S1BT-06SP-316	3/8 BSPP	3/8 BSPT	13.5	15	25.5	22
S1BT-08SP-316	1/2 BSPP	1/2 BSPT	16	20	45	27
S1BT-12SP-316	3/4 BSPP	3/4 BSPT	18.5	20	48.5	32

**PLEASE NOTE: A BONDED SEAL IS NOT INCLUDED WITH THE ADAPTOR  
AND NEEDS TO BE PURCHASED SEPERATELY**

**BONDED SEALS**

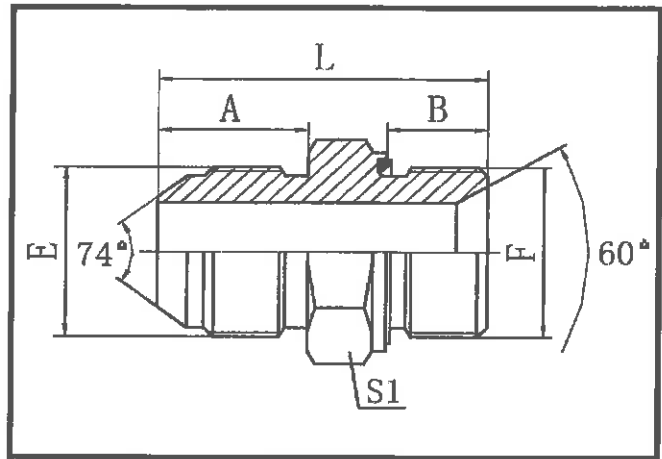
PART NUMBER	THREAD SIZE		
	DASH	DN	TYPE
ZHD-04-316	04	6	BSPP
ZHD-06-316	06	10	BSPP
ZHD-08-316	08	12	BSPP
ZHD-12-316	12	20	BSPP
ZHD-16-316	16	25	BSPP

**S1T-SP**  
**BSPT MALE X BSPT MALE**



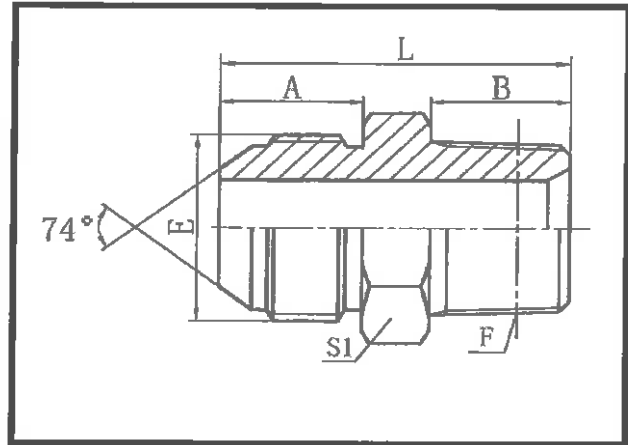
PART NUMBER	THREAD		DIMENSIONS (mm)			
	E	F	A	B	L	S1
S1T-04SP-316	1/4 BSPT	1/4 BSPT	14.5	14.5	34	14
S1T-06SP-316	3/8 BSPT	3/8 BSPT	15	15	36	17
S1T-06-08SP-316	3/8 BSPT	1/2 BSPT	15	20	43	22
S1T-08SP-316	1/2 BSPT	1/2 BSPT	20	20	46	22
S1T-08-12SP-316	1/2 BSPT	3/4 BSPT	20	20	48	27
S1T-12SP-316	3/4 BSPT	3/4 BSPT	20	20	48	30
S1T-16SP-316	1 BSPT	1 BSPT	25.5	25.5	61	36

**S1JB-WD**  
**JIC MALE X BSPP MALE**  
**ENCAPSULATED O-RING**



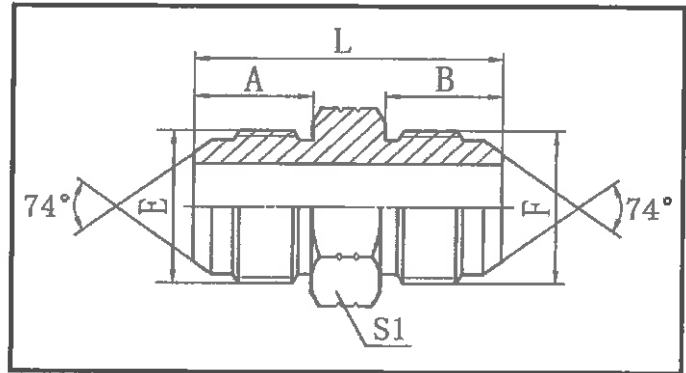
PART NUMBER	THREAD		DIMENSIONS (mm)			
	E	F	A	B	L	S1
S1JB-04WD-316	7/16 JIC	1/4 BSPP	14	12	34	19
S1JB-06-04WD-316	9/16 JIC	1/4 BSPP	14	12	34	19
S1JB-06WD-316	9/16 JIC	3/8 BSPP	14	12	35	22
S1JB-08-06WD-316	3/4 JIC	3/8 BSPP	16.7	12	37.5	22
S1JB-08WD-316	3/4 JIC	1/2 BSPP	16.7	14	43.5	27
S1JB-10-08WD-316	7/8 JIC	1/2 BSPP	19.5	14	46.5	27
S1JB-12WD-316	1-1/16 JIC	3/4 BSPP	22	16	50	32
S1JB-16WD-316	1-5/16 JIC	1 BSPP	23	18	57	41

**S1JT-SP**  
**JIC MALE X BSPT MALE**



PART NUMBER	THREAD		DIMENSIONS (mm)			
	E	F	A	B	L	S1
S1JT-06-04SP-316	9/16 JIC	1/4 BSPT	14	14.5	34	17
S1JT-06SP-316	9/16 JIC	3/8 BSPT	14	15	34	17
S1JT-08-06SP-316	3/4 JIC	3/8 BSPT	16.7	15	39	22
S1JT-08SP-316	3/4 JIC	1/2 BSPT	16.7	20	44.5	22
S1JT-10-08SP-316	7/8 JIC	1/2 BSPT	19.3	20	46.5	24
S1JT-12-08SP-316	1-1/16 JIC	1/2 BSPT	22	20	51	30
S1JT-12SP-316	1-1/16 JIC	3/4 BSPT	22	20	51	30
S1JT-16SP-316	1-5/16 JIC	1 BSPT	23	25.5	59	36

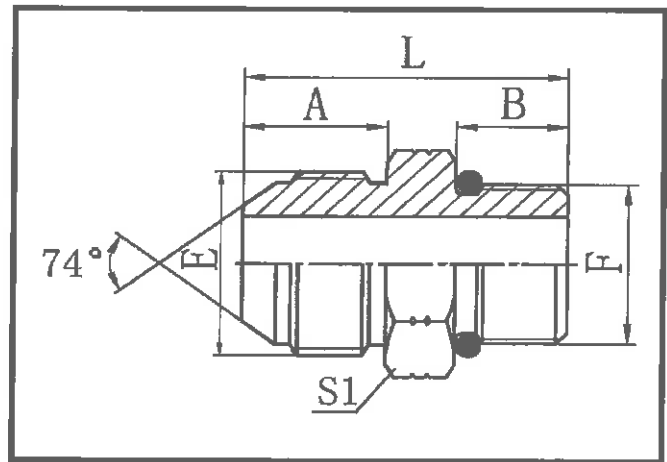
**S1J**  
**JIC MALE X JIC MALE**



PART NUMBER	THREAD		DIMENSIONS (mm)			
	E	F	A	B	L	S1
S1J-04-316	7/16 JIC	7/16 JIC	14	14	34	12
S1J-06-316	9/16 JIC	9/16 JIC	14.5	14	34.2	17
S1J-08-316	3/4 JIC	3/4 JIC	16.7	16.7	42	22
S1J-10-316	7/8 JIC	7/8 JIC	19.3	19.3	46.5	24
S1J-12-316	1-1/16 JIC	1-1/16 JIC	22	22	54	30
S1J-16-316	1-5/16 JIC	1-5/16 JIC	23	23	57	36

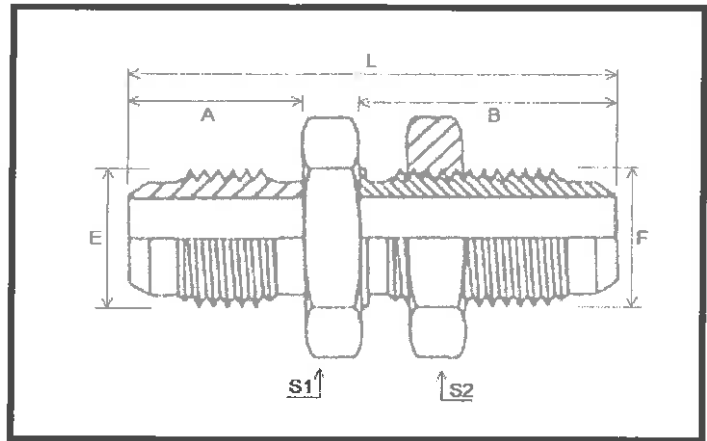


**S1JO**  
JIC MALE X UNO MALE



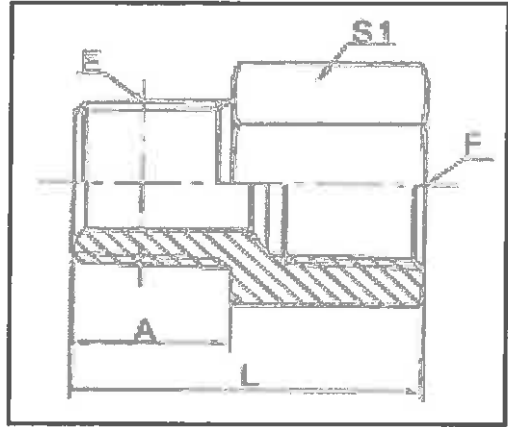
PART NUMBER	THREAD		DIMENSIONS (mm)			
	E	F	A	B	L	S1
S1JO-06-316	9/16 JIC	9/16 UNO	14	10	30	17
S1JO-08-316	3/4 JIC	3/4 UNO	16.7	11	36	22
S1JO-08-10-316	3/4 JIC	7/8 UNO	16.7	12.4	40	27
S1JO-10-08-316	7/8 JIC	3/4 UNO	19.3	11	39	24
S1JO-10-316	7/8 JIC	7/8 UNO	19.3	12.7	42.5	27
S1JO-12-316	1-1/16 JIC	1-1/16 UNO	22	15	48	32

**S6J**  
**JIC MALE X JIC MALE**  
**BULKHEAD**



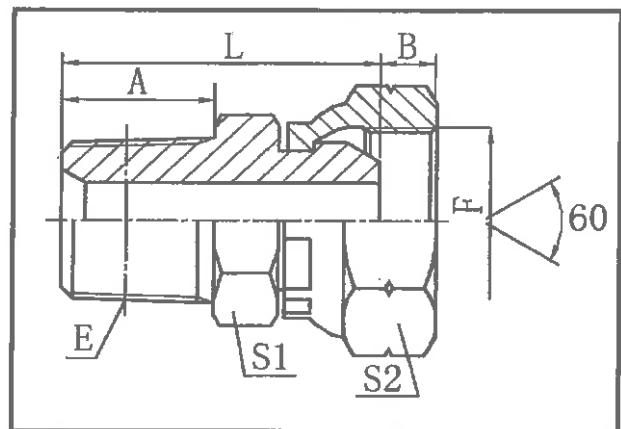
PART NUMBER	THREAD		DIMENSIONS (mm)				
	E	F	A	B	L	S1	S2
S6J-08-316	3/4 JIC	3/4 JIC	16.7	36.5	61.5	24	24
S6J-12-316	1-1/16 JIC	1-1/16 JIC	19.3	40	69.5	30	30

**S5T**  
**BSPT MALE X BSPT FIXED**  
**FEMALE REDUCER**



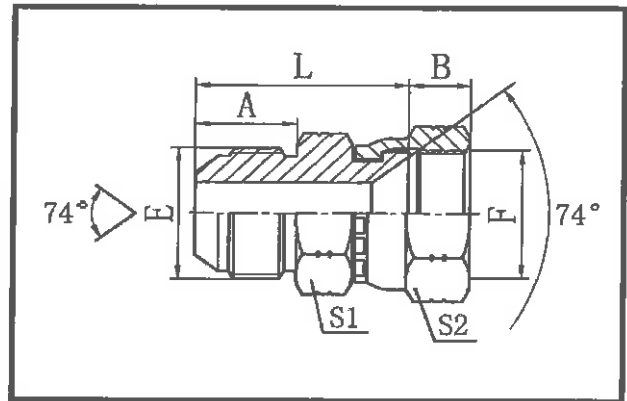
PART NUMBER	THREAD		DIMENSIONS (mm)		
	E	F	A	L	S1
S5T-06-04SP-316	3/8 BSPT	1/4 BSPT	15	22	19
S5T-08-04SP-316	1/2 BSPT	1/4 BSPT	18	28	24
S5T-08-06SP-316	1/2 BSPT	3/8 BSPT	18	28	24
S5T-12-08SP-316	3/4 BSPT	1/2 BSPT	20	30	30
S5T-16-12SP-316	1 BSPT	3/4 BSPT	24	34	36

**S2TB-SP**  
**BSPT MALE X BSP**  
**FEMALE SWIVEL**



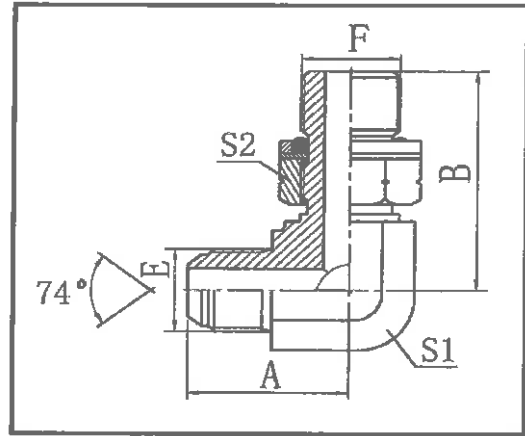
PART NUMBER	THREAD		DIMENSIONS (mm)				
	E	F	A	B	L	S1	S2
S2TB-06SP-316	3/8 BSPT	3/8 BSP	16	6.3	33.5	19	22
S2TB-08SP-316	1/2 BSPT	1/2 BSP	19.5	7.5	41	22	27
S2TB-12SP-316	3/4 BSPT	3/4 BSP	19.5	10.9	44.5	30	32

**S2J**  
**JIC MALE X JIC FEMALE**  
**SWIVEL**



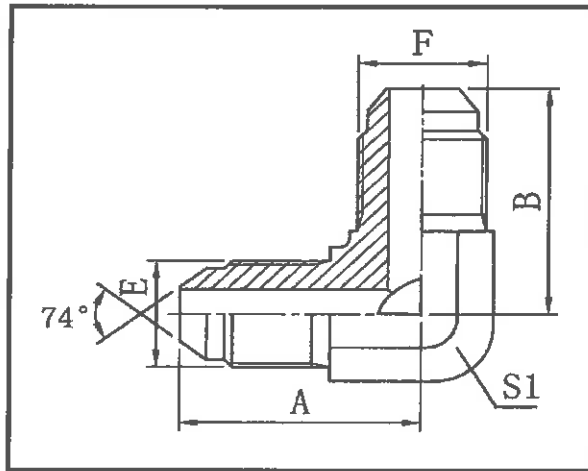
PART NUMBER	THREAD		DIMENSIONS (mm)				
	E	F	A	B	L	S1	S2
S2J-06-08-316	9/16 JIC	3/4 JIC	14	11	31	19	24
S2J-08-10-316	3/4 JIC	7/8 JIC	16.7	13	36.5	22	27
S2J-08-12-316	3/4 JIC	1-1/16 JIC	16.7	15	39.5	27	32
S2J-10-12-316	7/8 JIC	1-1/16 JIC	19.3	15	42	27	32

**S1JG9-OG**  
**JIC MALE X BSPP MALE 90°**  
**ELBOW**



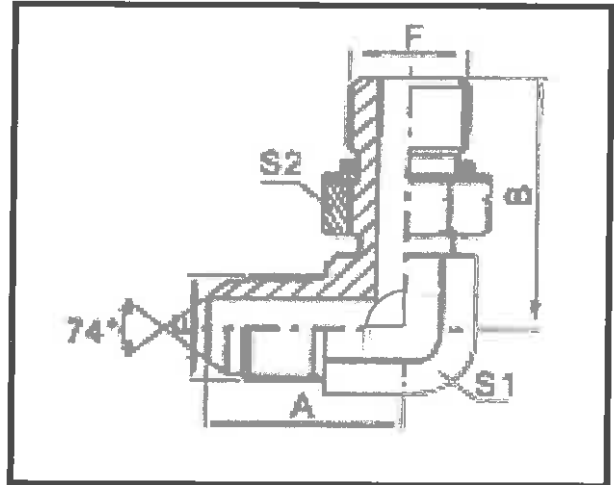
PART NUMBER	THREAD		DIMENSIONS (mm)			
	E	F	A	B	S1	S2
S1JG9-04OG-316	7/16 JIC	1/4 BSPP	26.6	31.3	14	19
S1JG9-06-04OG-316	9/16 JIC	1/4 BSPP	27	31.3	14	19
S1JG9-06OG-316	9/16 JIC	3/8 BSPP	28.5	35.8	16	24
S1JG9-08-06OG-316	3/4 JIC	3/8 BSPP	32	36.8	19	27
S1JG9-08OG-316	3/4 JIC	1/2 BSPP	34.8	43.2	22	27
S1JG9-10-08OG-316	7/8 JIC	1/2 BSPP	37.8	32.2	22	27
S1JG9-12OG-316	1-1/16 JIC	3/4 BSPP	44.2	49.3	27	32

**S1J9**  
**JIC MALE X JIC MALE**  
**90° ELBOW**



PART NUMBER	THREAD		DIMENSIONS (mm)		
	E	F	A	B	S1
S1J9-04-316	7/16 JIC	7/16 JIC	24.5	24.5	11
S1J9-06-316	9/16 JIC	9/16 JIC	26.9	26.9	14
S1J9-08-316	3/4 JIC	3/4 JIC	32	32	19
S1J9-12-316	1-1/16 JIC	1-1/16 JIC	44.2	44.2	27

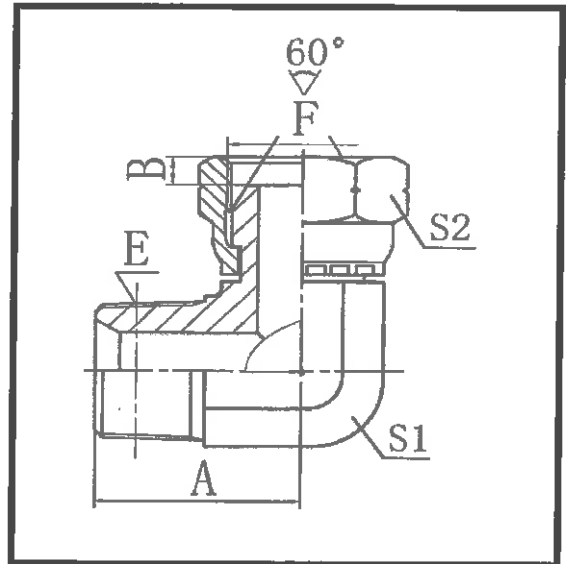
**S1J09-OG**  
**JIC MALE X UNO MALE**  
**90° ELBOW**



PART NUMBER	THREAD		DIMENSIONS (mm)			
	E	F	A	B	S1	S2
S1J09-06OG-316	9/16 JIC	9/16 UNO	26.9	31.8	14	19
S1J09-08OG-316	3/4 JIC	3/4 UNO	33	36.8	19	24
S1J09-08-10OG-316	3/4 JIC	7/8 UNO	34.8	44	22	27
S1J09-10-08OG-316	7/8 JIC	3/4 UNO	38	40	22	27
S1J09-10OG-316	7/8 JIC	7/8 UNO	37.8	44	22	27
S1J09-12OG-316	1-1/16 JIC	1-1/16 UNO	44.2	51	27	32

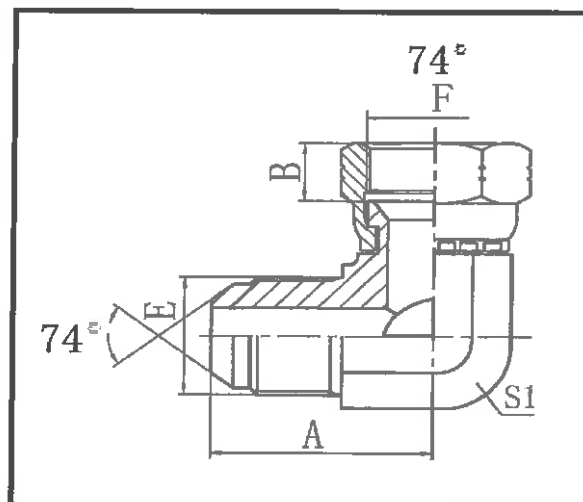


**S2TB9-SP**  
**BSPT MALE X BSP FEMALE**  
**SWIVEL 90° ELBOW**



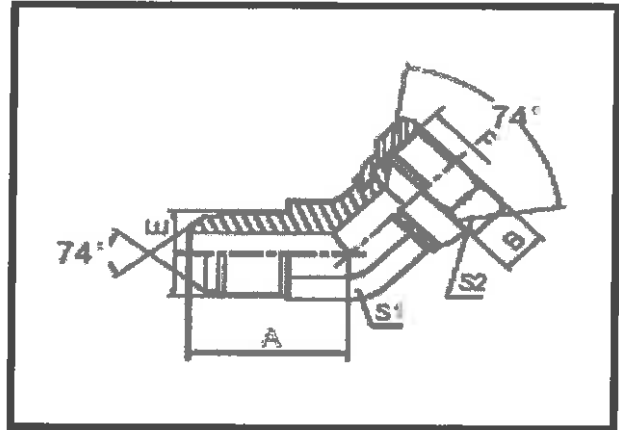
PART NUMBER	THREAD		DIMENSIONS (mm)			
	E	F	A	B	S1	S2
S2TB9-06SP-316	3/8 BSPT	3/8 BSP	31	6.3	19	22
S2TB9-08SP-316	1/2 BSPT	1/2 BSP	37.3	7.5	22	27
S2TB9-12SP-316	3/4 BSPT	3/4 BSP	43.5	10.9	27	32

**S2J9**  
**JIC MALE X JIC FEMALE**  
**SWIVEL 90° ELBOW**



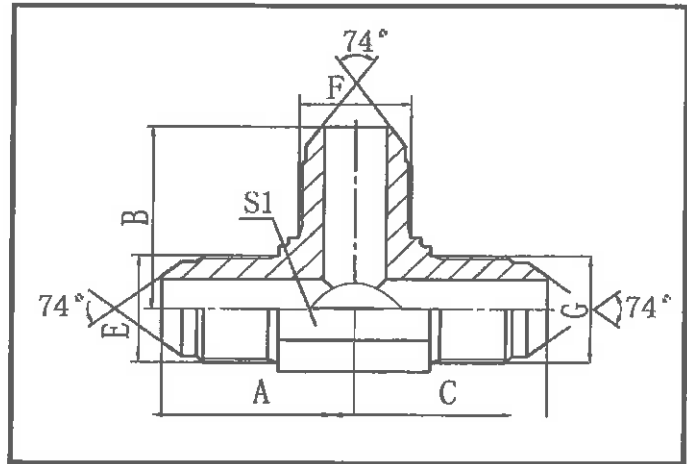
PART NUMBER	THREAD		DIMENSIONS (mm)			
	E	F	A	B	S1	S2
S2J9-04-316	7/16 JIC	7/16 JIC	24.5	9	11	15
S2J9-06-316	9/16 JIC	9/16 JIC	26.9	10.5	14	19
S2J9-08-316	3/4 JIC	3/4 JIC	33	11	19	24
S2J9-12-316	1-1/16 JIC	1-1/16 JIC	44.2	15	27	32
S2J9-16-316	1-5/16 JIC	1-5/16 JIC	48.8	16	33	41

**S2J4**  
**JICM X JICFS 45°**  
**DEGREE ELBOW**



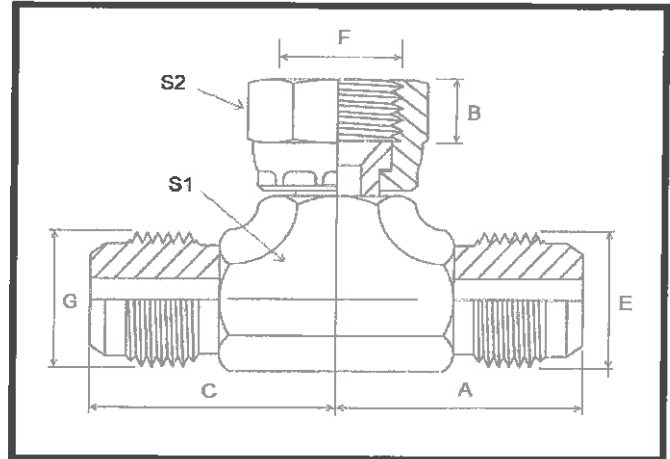
PART NUMBER	THREAD		DIMENSIONS (mm)			
	E	F	A	B	S1	S2
S2J4-04-316	7/16 JIC	7/16 JIC	21.5	9	11	15
S2J4-06-316	9/16 JIC	9/16 JIC	22.8	10.5	14	19
S2J4-08-316	3/4 JIC	3/4 JIC	26.8	11	19	24
S2J4-12-316	1-1/16 JIC	1-1/16 JIC	35.5	15	27	32

**SAJ**  
JIC MALE TEE PIECE



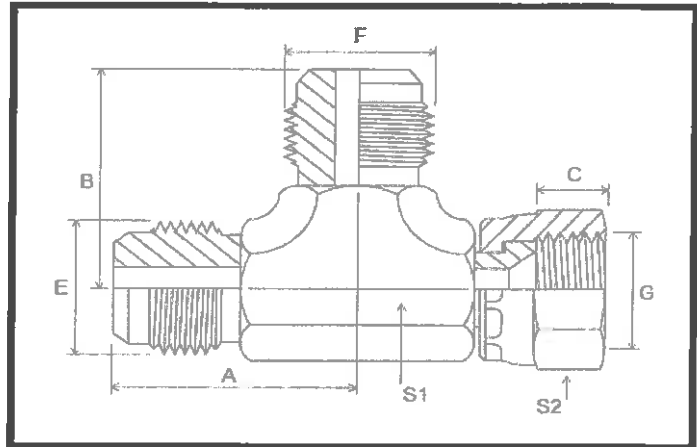
PART NUMBER	THREAD			DIMENSIONS (mm)			
	E	F	G	A	B	C	S1
SAJ-06-316	9/16 JIC	9/16 JIC	9/16 JIC	26.9	26.9	26.9	14
SAJ-08-316	3/4 JIC	3/4 JIC	3/4 JIC	32	32	32	19
SAJ-10-316	7/8 JIC	7/8 JIC	7/8 JIC	37.8	37.8	37.8	22
SAJ-12-316	1-1/16 JIC	1-1/16 JIC	1-1/16 JIC	44.2	44.2	44.2	27

**SBJ**  
**JIC FEMALE BRANCH**  
**TEE PIECE**



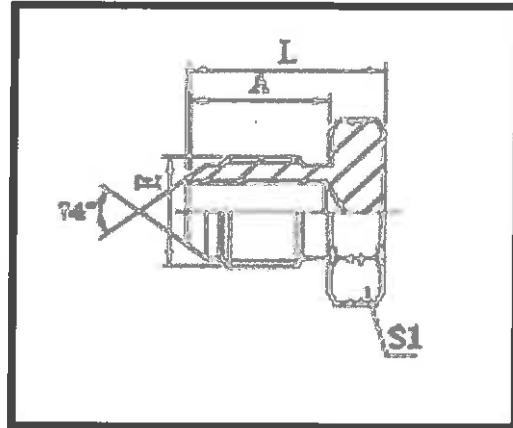
PART NUMBER	THREAD			DIMENSIONS (mm)				
	E	F	G	A	B	C	S1	S2
SBJ-06-316	9/16 JIC	9/16 JIC	9/16 JIC	26.9	10.5	26.9	14	19
SBJ-08-316	3/4 JIC	3/4 JIC	3/4 JIC	32	11	32	19	24
SBJ-10-316	7/8 JIC	7/8 JIC	7/8 JIC	27.8	14	37.8	22	27
SBJ-12-316	1-1/16 JIC	1-1/16 JIC	1-1/16 JIC	44.2	15	44.2	27	32

**SCJ**  
**JIC FEMALE RUN TEE**



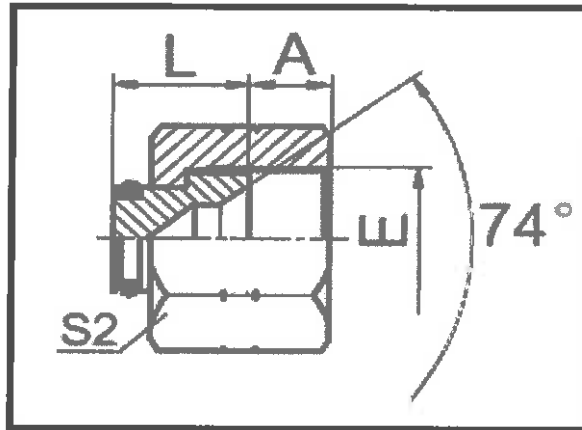
PART NUMBER	THREAD			DIMENSIONS (mm)				
	E	F	G	A	B	C	S1	S2
SCJ-06-316	9/16 JIC	9/16 JIC	9/16 JIC	26.9	26.9	10.5	14	19
SCJ-08-316	3/4 JIC	3/4 JIC	3/4 JIC	32	32	9.5	19	24
SCJ-10-316	7/8 JIC	7/8 JIC	7/8 JIC	37.8	37.8	13	22	27
SCJ-12-316	1-1/16 JIC	1-1/16 JIC	1-1/16 JIC	44.2	44.2	15	27	32

**S4J**  
**JIC MALE PLUG**



PART NUMBER	THREAD E	DIMENSIONS (mm)		
		A	L	S1
S4J-04-316	7/16 JIC	14	20	12
S4J-06-316	9/16 JIC	14.1	20	17
S4J-08-316	3/4 JIC	16.7	25	22
S4J-10-316	7/8 JIC	19.3	27.5	24
S4J-12-316	1-1/16 JIC	21.9	32	30

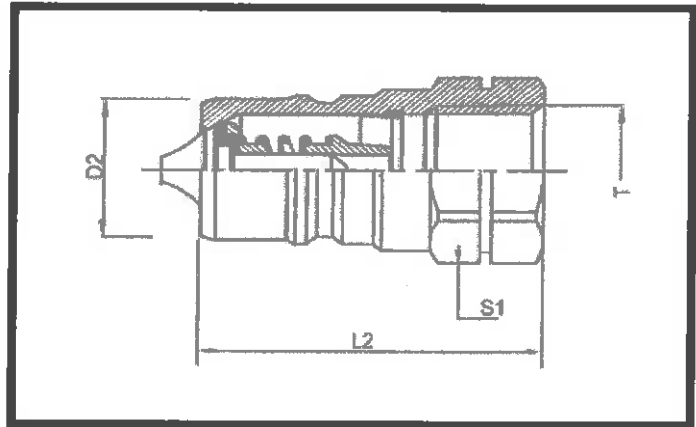
**S9J**  
**JIC FEMALE**  
**CAP**



PART NUMBER	THREAD E	DIMENSIONS (mm)		
		A	L	S2
S9J-04-316	7/16 JIC	9	10.5	15
S9J-06-316	9/16 JIC	10.5	11	19
S9J-08-316	3/4 JIC	11	13	24
S9J-10-316	7/8 JIC	13	13.5	27
S9J-12-316	1-1/16 JIC	15	15	32

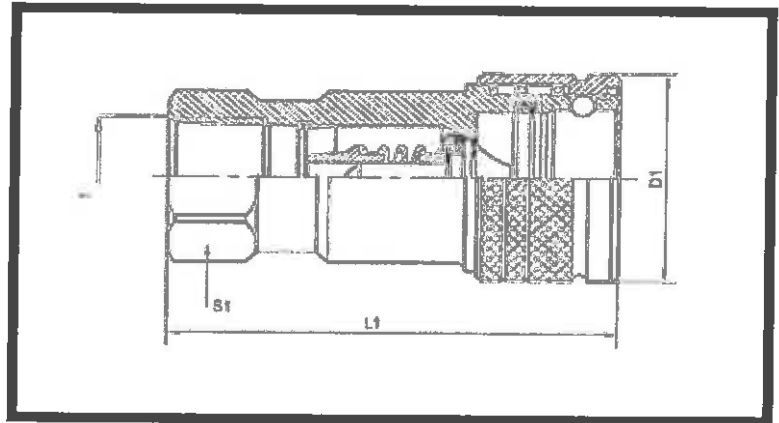


**KZF-PF**  
**MALE QRC**  
**ISO A**



PART NUMBER	STYLE	THREAD T	DIMENSIONS (mm)		
			L2	D2	S1
KZF-06G-PF-316	MALE POPPET	3/8 BSPP	52	31.5	36
KZF-08G-PF-316	MALE POPPET	1/2 BSPP	62	37.8	41

**KZF-SF**  
**FEMALE QRC**  
**ISO A**



PART NUMBER	STYLE	THREAD T	DIMENSIONS (mm)		
			L1	D1	S1
KZF-06G-SF-316	FEM POPPET	3/8 BSPP	88	54	36
KZF-08G-SF-316	FEM POPPET	1/2 BSPP	102	64.5	41