

The CirrusSense™
TDWLB Series
Wireless Bluetooth
Pressure Transducer



SERIES: TDWLB



DESCRIPTION

Another Industry First! The first Bluetooth® certified wireless pressure transducer with long battery life and patent pending design makes the Transducers Direct CirrusSense™ TDWLB a perfect fit for many applications for Industrial and Home Automation.

Download the free app, install the transducer and wirelessly connect - no confusing wiring to figure out. From HVAC in

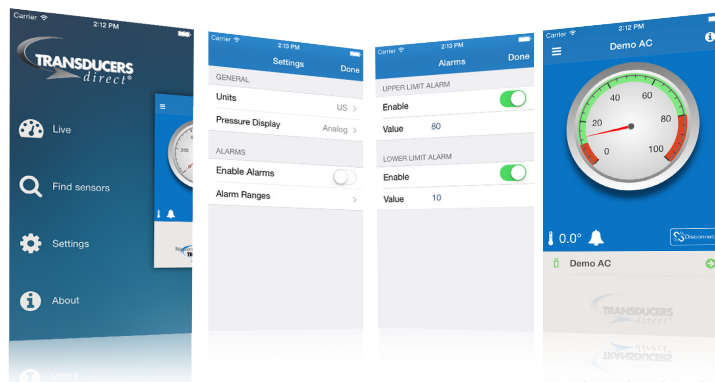
marine, campers, motorhomes, residential and commercial applications to water, hydraulic, irrigation, pools, medical and sprinkler systems or anywhere you need to monitor pressure without the need of wires.

Because it is built on Transducers Direct TD1000 proprietary technology, the TDWLB ensures high quality and high accuracy with Transducers Direct's quick deliveries, and low costs.

FEATURES

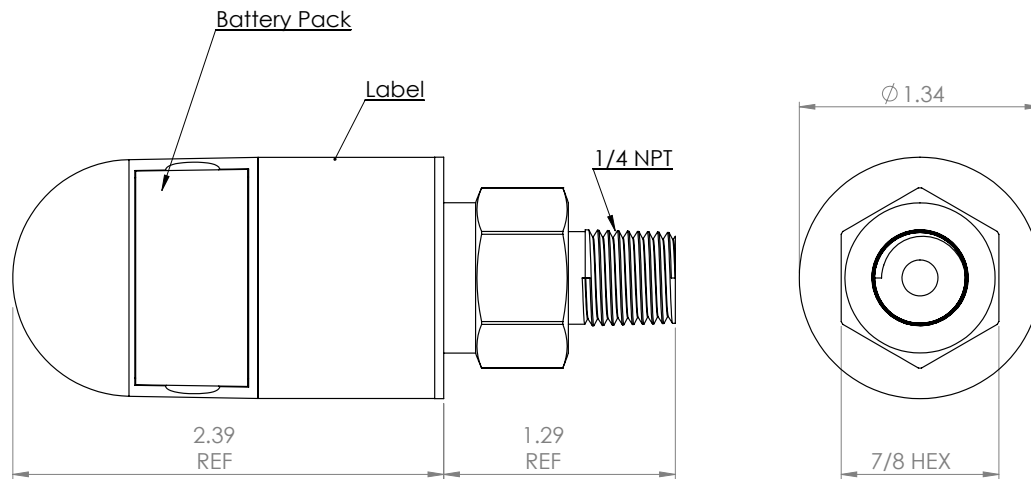
- Connects to smart phones and tablets with BLE (Bluetooth® Low Energy)
- Certified Bluetooth® Wireless technology
- Pressure ranges from Vacuum to 10,000 psi
- Long battery life (proprietary technology)
- 1% Standard accuracy with optional 0.25% Ultra high accuracy
- Stainless Steel and high impact polycarbonate construction
- Alarm set points
- Secure field programmable naming
- Patent Pending Design
- Schrader, NPT, SAE and G 1/4 pressure connections

TDWLB APP



Free download at the Apple iTunes App Store and Google

Specifications may change without notice. The information we supply is believed to be accurate and reliable as of this printing. However, we assume no responsibility for its use. While we provide application assistance personally, through our literature and the Transducers Direct web site, it is up to the customer to determine the suitability of the product in the application.

DRAWING**REGULATORY COMPLIANCE**

This equipment has been tested and found to comply with the limits for a Class A digital device pursuant to part 15 of the FCC Rules. These limits are designed to provide reasonable protection against harmful interference when the equipment is operated in a commercial environment. This equipment generates, uses, and can radiate radio frequency energy and, if not installed and used in accordance with the instruction manual, may cause harmful interference to radio communications. Operation of this equipment in a residential area is likely to cause harmful interference in which case the user will be required to correct the interference at his own expense.

Changes or modifications not expressly approved by Transducers Direct could void the user's authority to operate the equipment. FCC ID: 2ACGE-TDWLB.

This device complies with Industry Canada license-exempt RSS standard(s). Operation is subject to the following two conditions: (1) this device may not cause interference, and (2) this device must accept any interference, including interference that may cause undesired operation of the device.

Le présent appareil est conforme aux CNR d'Industrie Canada applicables aux appareils radio exempts de licence. L'exploitation est autorisée aux deux conditions suivantes : (1) l'appareil ne doit pas produire de brouillage, et (2) l'appareil doit accepter tout brouillage radioélectrique subi, même si le brouillage est susceptible d'en compromettre le fonctionnement.

IC: 12056A-TDWLB

SPECIFICATIONS

| | |
|--------------------------|--|
| Performance | Performance @ 25°C (77 °F) |
| Pressure Accuracy | 0.25% or 0.2 psi, whichever is greater, 1% BFSL |
| Temperature Accuracy | ± 1°C |
| Overrange Protection | 2x Rated Pressure |
| Pressure Range | see ordering chart - up to 10,000 psi (690 bar) |
| Burst Pressure | 5x or 20,000 psi, whichever is less |
| Pressure Cycles | >100 million |
| Update Time | Bluetooth® wireless technology (1sec) |
| | |
| Environmental Data | |
| Temperature | |
| Compensated Temperatures | -10° to 85° C (14 to 185° F) |
| Operating Temperatures | -40° to 85° C (-40° to 185° F) |
| Storage | -40° to 125° C (-40° to 257° F) without battery |
| TEB | 3% BFSL (includes: Non-linearity, Hysteresis and Non-repeatability) |
| Long Term Drift | 0.2% FS/year (non-cumulative) |
| Shock | 50g, 11 ms, 1/2 sine |
| Vibration | 10g, peak, 20 to 2400 Hz |
| EMI/RFI Protection | Yes |
| Rating | IP-65 |
| | |
| Mechanical Configuration | |
| Pressure Connections | 1/4" NPT Male, 7/16-20 UNF Male, G1/4 Male, 7/16-20 UNF Female w/ 45° flare & valve depressor (Schrader) |
| Wetted Material | 17-4PH stainless steel (for other materials consult factory) |
| Case | (housing) 304 stainless steel and high-impact polycarbonate |
| | |
| Electrical Data | |
| Power Supply | Replacement battery, battery life: 12-18 months, typical. Battery life is affected by high and low temperatures. Please contact factory for additional information. |
| Battery Removal | If battery pack is removed, you must wait 90 seconds to reinstall or unit may lock up. |
| Compatible Devices | Software: Android v. 4.3 or later. iOS 7.1 or greater Hardware: Android - Device supports Bluetooth Smart (Version 4.0 and later). iPad Gen 3 (released March 16, 2012) iPad Gen 4 (released November 2, 2012) iPad Mini Gen 1 (released November 2, 2012) iPad Mini Gen 2 (released November 12, 2013) iPad Air (released November 1, 2013) iPhone 5 (released September 21, 2012) iPhone 5C, 5S (released September 20, 2013) |

ORDERING

| Series | Accuracy | Pressure Range | Pressure Connection | Battery Pack |
|--------|---------------------------|--|--|---|
| TDWLB | 100 | 0500 (psi) | 03 | |
| | 100 = 1.0% 200 = 0.25% | 0050 0100 0250 0500 0650 1000 3000 5000 010K ** | 03= 1/4" NPT Male 09= 7/16-20 UNF Male 13= G1/4 Male 42= 7/16-20 UNF Fe- male w/ 45° flare & valve depressor (Schrader) ** | (BLANK) = Standard battery pack T-24 = 24" cable with external temperature sensor ** |

**= Consult factory for further OEM options.

Pressure ranges listed above are quick ship versions.

All straight-thread o-rings are Viton. It is customer's responsibility to determine compatibility.

2.16