

Electric limit switch for OP10 valve

Oilpath's compact OP10 hydraulic control valve is now available with the option of electric limit switching.

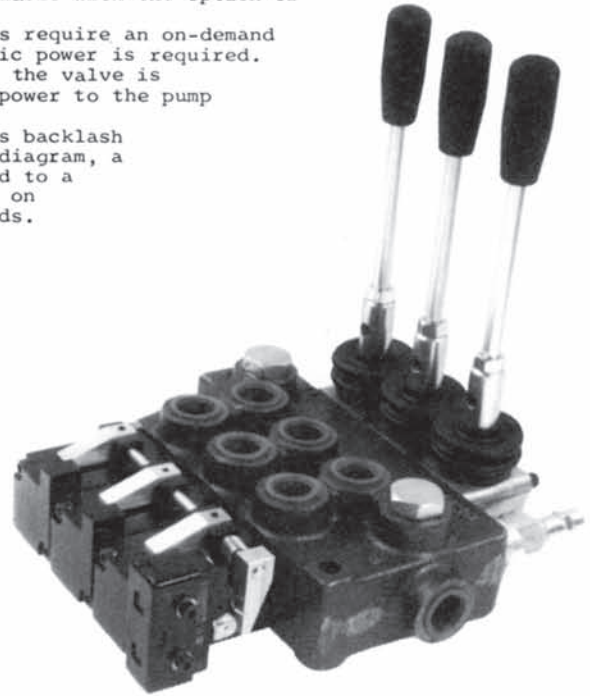
Hydraulic power packs fitted with electrically-driven pumps require an on-demand switching facility which activates the pump only when hydraulic power is required. Such devices are normally fitted to the control valve. When the valve is operated a switch automatically closes, supplying electrical power to the pump or its electric clutch.

The new Oilpath unit is an improved design which eliminates backlash inherent in some types of limit switches. Referring to the diagram, a cam-operated switch (1) is activated by a rocker arm (7) fixed to a shaft (9). When the valve lever is moved, a bevelled recess on sleeve (13), attached to the spool end, forces pin (10) upwards. This in turn bears on another rocker arm (also secured to the shaft) causing the shaft to rotate, closing the switch.

Once the valve is installed, each rocker arm is checked to remove slack, and the locking screws (8) are tightened in position with an allen key. When these adjustments are made correctly, the switching operation is virtually back-lash free, enabling the smooth functioning of the OP10 to be fully employed.

The unit is rated at 15 amps max. and is available for 12 or 24 VDC or 240 VAC power sources. A retro-fit kit (specify whether for single- or double-acting use) is available which can be installed in minutes without special tools or skills.

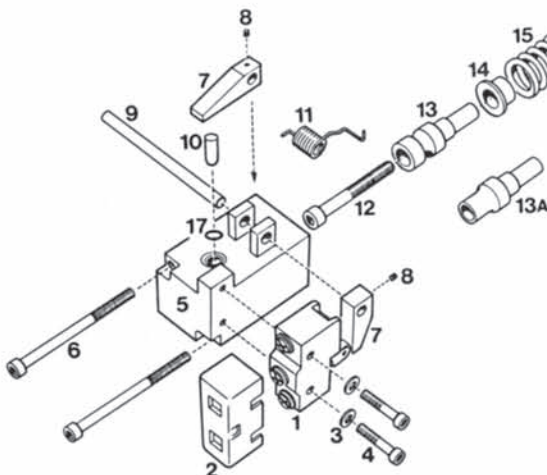
If cable control is also required for the OP10, users should refer to Oilpath Technical Bulletin No. 2.



ORDERING NEW OP10s
Refer Oilpath OP10 brochure
and Technical Bulletin no. 2
(if cable control is required)
The following revised options
table applies:

OPTIONS	
D1*	3-position detent
PB	High pressure carry over
CC	Closed centre
N	Relief valve not required
R1*	Cable control Morse RVC
E1*	Electric limit switch

* Number(s) following letter indicates on which spool(s), counting from inlet.



Note:
Only one switch is required for both single and multi spool OP10s.

Retrofit kit prices (ex-Oilpath)

Double-acting	Single-acting
Code: 10-ED	Code: 10-ES

Item	Qty.	Part no.	Description
1	1	LS1	15 amp switch
2	1	LS2	Switch cover
3	2	WR1	Washer, flat, 4mm
4	2	SH21	Socket head cap screw, 25 x 4mm
5	1	10-31	Spring housing
6	2	SH20	Socket head cap screw, 70 x 5mm
7	*	10-33	Rocker arm
8	*	SH-22	Socket head lock screw, 5 x 4mm
9	1	10-34	Rocker shaft, single spool
		10-45 2 spools
		10-46 3 spools
		10-47 4 spools
		10-48 5 spools
10	1	10-32	Push pin
11	1	10-35	Rocker arm tensioning spring ¹
12	1	SH19	Socket head cap screw, 50 x 6mm
13	1	10-30	Sleeve (double acting) ²
13A	1	10-50	Sleeve (single acting) ²
14	1	10-6	Spring cup (front)
15	1	10-39	Spring
16	1	10-9	Spring cup (rear)
17	1	BS010	'O' ring

Notes

- * No. of rocker arms and lock screws = (no. of spools) + 1.
- ¹ Only one tensioning spring required for both single and multi-spool assemblies.
- ² Both new valves and retrofit kits supplied as double-acting or single-acting, with sleeve to suit.