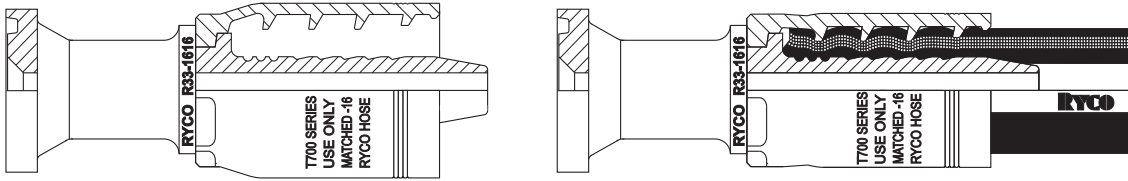


BITELOK ONE-PIECE CRIMP COUPLINGS

RYCO BITELOK Crimp Couplings are permanently attached fittings, assembled onto the hose with a swaging press.



RYCO BITELOK One-Piece Crimp Couplings have the ferrule already attached to the hose insert at the factory. This eliminates the possibility of selecting the wrong ferrule type when fabricating hose assemblies, which can cause failure of the assembly.

Each BITELOK One-Piece Crimp Coupling Series suits specific styles of hose, as shown in the table below. T200, T400 and T700 BITELOK One-Piece Crimp Couplings Series can be used on more than one hose style - only the finished crimp diameter changes.

BITELOK One-Piece Crimp couplings eliminate the need to "skive" the cover off the hose* before attaching the couplings - even for Spiral reinforced hoses. This makes assembly simple, quick and efficient. Simply push the coupling onto the hose, and crimp the ferrule. The teeth inside the ferrule BITE down though the cover to LOK onto the reinforcement wires**.

See page 81 for Features and Benefits of RYCO BITELOK One-Piece Crimp couplings.

(*Except Skive Hoses: PW2, TW1. Some sizes of T200 Series can be used on H12 and HSP Spiral Hoses if cover is Skived. Some sizes of T700 Series can be used on H13 Series Hose if cover is skived.)

(**T400 Series for One and Two Braid Textile reinforced hoses do not bite down to the reinforcement.)

BITELOK SERIES	SUITS HOSE TYPE	RYCO HOSE SERIES and SIZES
T200	One and Two Wire Braided Hoses TWO SERIES CODE GROOVES AT END OF FERRULE	For RYCO Hose Series T1A, T2A, T3KA, DF2A, T1D, T2D, T3KD, TXA2D, TJ2D, T2S, RQP1, RQP2, T1F, TW1, PW2, RQG1 up to sizes -20. For these RYCO Hose Series -24 and -32 sizes, use T700 Series Couplings. For RYCO Hose (cover must be skived) H1206A, H1208A, H1210A, H1206D, H1208D, H1206S, H1208S, HSP04A, HSP06A, HSP08A, HSP10A.
T400	Some One and Two Textile Braided Hoses THREE SERIES CODE GROOVES AT END OF FERRULE	For RYCO Hose Series RT7, RT7N, RT7T, RT7TN sizes -4 to -12. For RYCO Hose Series RT8, RT8N, RT8T, RT8TN sizes -4 to -8. For RYCO Hose Series SR and SRF sizes -12 to -32. For RYCO Hose Series M2 and M2G sizes -4 to -12. For RYCO Hose Series MP1 sizes -4 to -20. For RYCO Hose Series RQP5 and T5 sizes -4 to -12
T700	R12 Spiral Hoses One and Two Wire Braided Hoses FOUR SERIES CODE GROOVES AT END OF FERRULE	For RYCO Hose H12A, H12D and H12S all sizes. For RYCO Hose Series T1A, T2A, T1D, T2D, TXA2D, T2S, RQP2 sizes -24 and -32. May be used on RYCO Hose series T1A, T2A, DF2A, T1D, T2D, TXA2D, T2S, RQP1, RQP2, T1F, TW1, PW2 sizes -20 and under. For RYCO Hose HSP06A, HSP08A, HSP10A, HSH20A, HSH24A, HSH32A. For RYCO Hose (cover must be skived) H1312A, H1316A, H1320A, H1312D, H1316D, H1320D, H1312S, H1316S, H1320S.
T900	R13 Spiral Hoses SIX SERIES CODE GROOVES AT END OF FERRULE	For RYCO Hose H13A, H13D and H13S all sizes. For RYCO Hose HSH12A, HSH16A. For RYCO Hose H1516D, H1520D.

T201 PAGE 102	T201P PAGE 102	T201C PAGE 102	T222 PAGE 103/111	T232 PAGE 103	T209 PAGE 105	T209E PAGE 105	T232N PAGE 106
T401 PAGE 124	T401P PAGE 124		T409 PAGE 126				
T701 PAGE 134	T701H PAGE 134	T701P PAGE 134	T709 PAGE 136			T709E PAGE 136	
T901 PAGE 153	T901P PAGE 153		T909 PAGE 153		T909E PAGE 153		

MALE STRAIGHT

BSPT MALE	BSPT MALE HEAVY	BSPP MALE	BSPP MALE CAPTIVE SEAL	BSPP MALE 60° CONVEX SEAT (JIS)	BSPT MALE SWIVEL	NPT MALE	NPT MALE EXTENDED	NPT MALE SWIVEL

BITELOK ONE-PIECE CRIMP COUPLINGS (continued)

	T203 PAGE 108	T265 PAGE 112	T263 PAGE 114	T292 PAGE 115	T292M PAGE 115	T284 PAGE 116	T295 PAGE 117	T287 PAGE 118
	T403 PAGE 127				T484 PAGE 129			
	T703 PAGE 137	T763 PAGE 140	T792 PAGE 141	T792M PAGE 141	T784 PAGE 141	T787 PAGE 144	T787S PAGE 144	
	T903 PAGE 154		T963 PAGE 155		T987 PAGE 156		T987S PAGE 156	
MALE STRAIGHT cont'd								
	JIC MALE	METRIC DKL MALE 24° CONE	METRIC DKS MALE 24° CONE	METRIC FRENCH GAZ MALE	METRIC FRENCH MILLIMETRIC MALE	ORFS MALE	PW GUN HANDLE TUBE	RYCOLOK MALE
	T253 PAGE 118	T274 PAGE 119	T220 PAGE 123	T238 PAGE 123		T288 PAGE 118	T275 PAGE 119	T276 PAGE 119
	T453 PAGE 131		T474 PAGE 131			T475 PAGE 131		
			T720 PAGE 152			T788 PAGE 144		
MALE STRAIGHT cont'd					MALE 45° & 60°			
	SAE MALE	SAE INVERTED MALE FLARE	UN O RING MALE (O RING BOSS)	UN O RING MALE SWIVEL (O RING BOSS)		RYCOLOK MALE 45° ELBOW	SAE INVERTED MALE FLARE 45° TUBE BEND	SAE INVERTED MALE FLARE 60° TUBE BEND
	T234 PAGE 103	T234N PAGE 106	T289 PAGE 118	T278 PAGE 119	T279 PAGE 119	T277 PAGE 119	T239 PAGE 123	
	T477 PAGE 131							
	T789 PAGE 144							
MALE 90°								
	BSPT MALE SWIVEL 90° ELBOW	NPT MALE SWIVEL 90° ELBOW	RYCOLOK MALE 90° ELBOW	SAE INVERTED MALE FLARE 90° ELBOW	SAE INVERTED MALE FLARE 90° EXTENDED ELBOW	SAE INVERTED MALE FLARE 90° TUBE BEND	UN O RING MALE SWIVEL (O RING BOSS) 90° ELBOW	
	T202 PAGE 102	T202S PAGE 103	T202F PAGE 103	T212 PAGE 103/111	T219 PAGE 106	T202N PAGE 106	T286 PAGE 107	T204 PAGE 108
	T402 PAGE 125		T412 PAGE 125/129			T402N PAGE 126		T404 PAGE 127
	T702 PAGE 134	T702H PAGE 134		T702N PAGE 136		T704 PAGE 137		
	T902 PAGE 153		T904 PAGE 154					
FEMALE STRAIGHT								
	BSPP FEMALE	BSPP FEMALE LIVE SWIVEL	BSPP FEMALE HEAVY	BSPP FEMALE FLAT FACE	BSPP FEMALE 60° CONCAVE SEAT (JIS)	NPT FEMALE FIXED	NPSM FEMALE	GREASE LINE FIXED FEMALE

Intro

Hose

Couplings

Adaptors

Accessories

Filters

Technical

BITELOK ONE-PIECE CRIMP COUPLINGS (continued)

FEMALE STRAIGHT cont'd

T260 PAGE 113	T250 PAGE 113	T250R PAGE 113	T271 PAGE 114	T271R PAGE 114	T292F PAGE 115	T292N PAGE 115	T268 PAGE 111/115	T280 PAGE 116
								T480 PAGE 129
T750 PAGE 139	T750R PAGE 139	T771 PAGE 140	T771R PAGE 140	T792F PAGE 141	T792N PAGE 141	T768 PAGE 138/141	T780 PAGE 142	
T971 PAGE 155								T980 PAGE 155
METRIC DKL FEMALE 24°/60° CONE	METRIC DKOL FEMALE 24° CONE	METRIC DKOL FEMALE 24° CONE	METRIC DKOS FEMALE 24° CONE	METRIC DKOS FEMALE 24° CONE	METRIC FRENCH GAZ FEMALE 24° CONE	METRIC FRENCH MILLIMETRIC FEMALE 24° CONE	METRIC FEMALE 60° CONCAVE SEAT (JIS) KOMATSU	ORFS FEMALE

FEMALE STRAIGHT cont'd FEMALE 45°

T254 PAGE 118	T294 PAGE 117	T206 PAGE 104	T208 PAGE 109	T258 PAGE 119	T227 PAGE 104	T225 PAGE 110	T266 PAGE 113	T251 PAGE 113
T454 PAGE 131					T425 PAGE 128			
			T706 PAGE 135	T708 PAGE 137	T727 PAGE 135	T725 PAGE 138		
T925 PAGE 154								
SAE FEMALE	PRESSURE WASHER FEMALE	BSPP FEMALE 45° ELBOW	JIC FEMALE 45° ELBOW	SAE FEMALE 45° ELBOW	BSPP FEMALE 45° TUBE BEND	JIC FEMALE 45° TUBE BEND	METRIC DKL FEMALE 24°/60° CONE 45° TUBE BEND	METRIC DKOL FEMALE 24° CONE 45° TUBE BEND

FEMALE 45° cont'd FEMALE 90°

T272 PAGE 114	T281 PAGE 116	T205 PAGE 104	T207 PAGE 109	T257 PAGE 119	T226 PAGE 104	T221 PAGE 104	T224 PAGE 110	
T481 PAGE 130		T455 PAGE 131	T405 PAGE 125	T457 PAGE 131	T426 PAGE 125	T424 PAGE 128		
T772 PAGE 140	T781 PAGE 142	T705 PAGE 135	T707 PAGE 137	T726 PAGE 135	T721 PAGE 135	T724 PAGE 138		
T972 PAGE 155		T981 PAGE 155	T905 PAGE 153		T926 PAGE 153		T924 PAGE 154	
METRIC DKOS FEMALE 24° CONE 45° TUBE BEND	ORFS FEMALE 45° TUBE BEND	SAE FEMALE 45° TUBE BEND	BSPP FEMALE 90° ELBOW	JIC FEMALE 90° ELBOW	SAE FEMALE 90° ELBOW	BSPP FEMALE 90° TUBE BEND	BSPP FEMALE 90° LONG BEND	JIC FEMALE 90° TUBE BEND

FEMALE 90° cont'd

T228 PAGE 110	T267 PAGE 113	T252 PAGE 113	T273 PAGE 114	T292G PAGE 115	T282S PAGE 117	T282 PAGE 117	T283 PAGE 117	
T428 PAGE 128					T482 PAGE 130		T456 PAGE 131	
T728 PAGE 138		T773 PAGE 140	T792G PAGE 141	T782S PAGE 143	T782 PAGE 143	T783 PAGE 143		
T973 PAGE 155					T982 PAGE 155		T983 PAGE 155	
JIC FEMALE 90° LONG BEND	METRIC DKL FEMALE 24°/60° CONE 90° TUBE BEND	METRIC DKOL FEMALE 24° CONE 90° TUBE BEND	METRIC DKOS FEMALE 24° CONE 90° TUBE BEND	METRIC FRENCH GAZ FEMALE 24° CONE 90° TUBE BEND	ORFS FEMALE 90° SHORT BEND	ORFS FEMALE 90° MEDIUM BEND	ORFS FEMALE 90° LONG BEND	SAE FEMALE 90° TUBE BEND

BITELOK ONE-PIECE CRIMP COUPLINGS (continued)

JOINER	T290 PAGE 111	T223 PAGE 121					T218 PAGE 122	T264 PAGE 122	T264B PAGE 122	T264C PAGE 122	T285 PAGE 123	
		T423 PAGE 133									T485 PAGE 133	
	T790 PAGE 139	T723 PAGE 152					T764 PAGE 152	T764B PAGE 152	T764C PAGE 152			
		T923 PAGE 161										
	SALVAGE/ STANDPIPE											
JOINER		SALVAGE (LIFESAVER)	IMPERIAL STANDPIPE	METRIC STANDPIPE	METRIC STANDPIPE 45° TUBE BEND	METRIC STANDPIPE 90° TUBE BEND				TUBE BITE		
SAE FLANGE CODE 61	T213 PAGE 120	T215 PAGE 120					T217 PAGE 120					
	T413 PAGE 132	T415 PAGE 132					T417 PAGE 132					
	T713 PAGE 145	T714 PAGE 145	T729 PAGE 145	T715 PAGE 146	T730 PAGE 146	T716 PAGE 147	T717 PAGE 147	T717L/A/B PAGE 147	T791 PAGE 147			
	T913 PAGE 157	T915 PAGE 157					T917 PAGE 157	T991 PAGE 157				
	CODE 61 FLANGE	CODE 61 FLANGE 22.5° TUBE BEND	CODE 61 FLANGE 30° TUBE BEND	CODE 61 FLANGE 45° TUBE BEND	CODE 61 FLANGE 60° TUBE BEND	CODE 61 FLANGE 67.5° TUBE BEND	CODE 61 FLANGE 90° TUBE BEND	CODE 61 FLANGE 90° LONG BEND	CODE 61 FLANGE 110° TUBE BEND			
	SAE FLANGE CODE 62	T733 PAGE 148	T744 PAGE 148	T745 PAGE 148	T735 PAGE 148	T746 PAGE 148	T736 PAGE 149	T737 PAGE 149	T793 PAGE 149			
		T933 PAGE 158	T944 PAGE 158	T945 PAGE 158	T935 PAGE 158	T946 PAGE 158	T936 PAGE 158	T937 PAGE 159	T993 PAGE 159			
		CODE 62 FLANGE	CODE 62 FLANGE 22.5° TUBE BEND	CODE 62 FLANGE 30° TUBE BEND	CODE 62 FLANGE 45° TUBE BEND	CODE 62 FLANGE 60° TUBE BEND	CODE 62 FLANGE 67.5° TUBE BEND	CODE 62 FLANGE 90° TUBE BEND	CODE 62 FLANGE 110° TUBE BEND			
SPECIAL FLANGE RYCO CODE 62C		T733C PAGE 150	T744C PAGE 150	T745C PAGE 150	T735C PAGE 150	T746C PAGE 150	T736C PAGE 151	T737C PAGE 151	T793C PAGE 151			
		T933C PAGE 160	T944C PAGE 160	T945C PAGE 160	T935C PAGE 160	T946C PAGE 160	T936C PAGE 161	T937C PAGE 161	T993C PAGE 161			
		R62C FLANGE	R62C FLANGE 22.5° TUBE BEND	R62C FLANGE 30° TUBE BEND	R62C FLANGE 45° TUBE BEND	R62C FLANGE 60° TUBE BEND	R62C FLANGE 67.5° TUBE BEND	R62C FLANGE 90° TUBE BEND	R62C FLANGE 110° TUBE BEND			
		STAINLESS STEEL	T201SS PAGE 220	T209SS PAGE 221	T202SS PAGE 220	T204SS PAGE 221	T287SS PAGE 221	T227SS PAGE 220	T226SS PAGE 220			
				T709SS PAGE 222	T702SS PAGE 222	T704SS PAGE 222						
	STAINLESS STEEL BSPT MALE		STAINLESS STEEL NPT MALE	STAINLESS STEEL BSPP FEMALE	STAINLESS STEEL JIC FEMALE	STAINLESS STEEL RYCOLOK MALE	STAINLESS STEEL BSPP FEMALE 45° TUBE BEND	STAINLESS STEEL BSPP FEMALE 90° TUBE BEND				

Intro

Hose

Couplings

Adaptors

Accessories

Filters

Technical

6900N BITELOK INTERLOK TWO-PIECE CRIMP COUPLINGS FOR H15D SERIES HOSE

FERRULE	6900N PAGE 162	MALE STRAIGHT					901N PAGE 162	909N PAGE 162	903N PAGE 163	963N PAGE 163	984N PAGE 164
							BSPT MALE	NPT MALE	JIC MALE	METRIC DK5 MALE 24° CONE	ORFS MALE
	CRIMP FERRULE										

FEMALE	902N PAGE 162	904N PAGE 163	971N PAGE 163	980N PAGE 164						
	BSPP FEMALE	JIC FEMALE	METRIC DKOS FEMALE 24° CONE	ORFS FEMALE						

FEMALE 45° & 90°	925N PAGE 163	972N PAGE 164	981N PAGE 164	905N PAGE 162	924N PAGE 163	973N PAGE 164	982N PAGE 164			
	JIC FEMALE 45° TUBE BEND	METRIC DKOS FEMALE 24° CONE 45° TUBE BEND	ORFS FEMALE 45° TUBE BEND	BSPP FEMALE 90° ELBOW	JIC FEMALE 90° TUBE BEND	METRIC DKOS FEMALE 24° CONE 90° TUBE BEND	ORFS FEMALE 90° MEDIUM BEND			

FLANGE	913N PAGE 165	915N PAGE 165	917N PAGE 165	933N PAGE 166	933CN PAGE 166	935N PAGE 166	935CN PAGE 166	937N PAGE 166
	CODE 61 FLANGE	CODE 61 FLANGE 45° TUBE BEND	CODE 61 FLANGE 90° TUBE BEND	CODE 62 FLANGE	R62C FLANGE	CODE 62 FLANGE 45° TUBE BEND	R62C FLANGE 45° TUBE BEND	CODE 62 FLANGE 90° TUBE BEND

6900K & 6900T BITELOK TWO-PIECE CRIMP COUPLINGS FOR H13A AND H13D SERIES HOSE

Part Number is for Complete Coupling. Assembly by RYCO Hydraulics - Sold only as fabricated hose assemblies.

FLANGE RYCO CODE 62K SAE CODE 62	6900K PAGE 168	6933K PAGE 168	6910K PAGE 168	6944K PAGE 168	6935K PAGE 168	6935KL PAGE 168	6937K PAGE 168	6933T PAGE 169	6937T PAGE 169
	CRIMP FERRULE (INCLUDED)	RYCO CODE 62K FLANGE	RYCO CODE 62K FLANGE 10° TUBE BEND	RYCO CODE 62K FLANGE 22.5° TUBE BEND	RYCO CODE 62K FLANGE 45° TUBE BEND	RYCO CODE 62K FLANGE 45° LONG BEND	RYCO CODE 62K FLANGE 90° TUBE BEND	CODE 62 FLANGE	CODE 62 FLANGE 90° TUBE BEND

1200 BITELOK TWO-PIECE CRIMP COUPLINGS FOR T240A HOSE

FLANGE RYCO CODE 62K SAE CODE 62	1200 PAGE 170	201 PAGE 170	287 PAGE 170	202 PAGE 170	204 PAGE 170	213 PAGE 171	214 PAGE 171	215 PAGE 171	217 PAGE 171
	CRIMP FERRULE	BSPT MALE	RYCOLOK MALE	BSPP FEMALE	JIC FEMALE	CODE 61 FLANGE	CODE 61 FLANGE 22.5° TUBE BEND	CODE 61 FLANGE 45° TUBE BEND	CODE 61 FLANGE 90° TUBE BEND

1100 BITELOK TWO-PIECE CRIMP COUPLINGS FOR RTH1 SERIES HOSE

1100 PAGE 172	R01 PAGE 172	R09 PAGE 173	R03 PAGE 173	R02 PAGE 172	R04 PAGE 173	R54 PAGE 174	R25 PAGE 174	R26 PAGE 172	R24 PAGE 174
CRIMP FERRULE	BSPT MALE	NPT MALE	JIC MALE	BSPP FEMALE	JIC FEMALE	SAE FEMALE	JIC FEMALE 45° BEND	BSPP FEMALE 90° TUBE BEND	JIC FEMALE 90° TUBE BEND

1G00 BITELOK TWO-PIECE CRIMP COUPLINGS FOR FB2 SERIES HOSE

1G00 PAGE 175	GP01 PAGE 175	GP34 PAGE 175	GP02 PAGE 175	G54 PAGE 176	G58 PAGE 176	GP05 PAGE 175	GP24 PAGE 175	G57 PAGE 176	G23 PAGE 176
CRIMP FERRULE	PILOT O RING MALE	PILOT O RING MALE 90° ELBOW	PILOT O RING FEMALE	SAE FEMALE	SAE FEMALE 45° ELBOW	PILOT O RING FEMALE 90° ELBOW	PILOT O RING FEMALE 90° ELBOW SHORT	SAE FEMALE 90° ELBOW	SALVAGE (LIFE SAVER)

800 PUSH-ON COUPLINGS FOR PL1 AND RQP6 SERIES HOSE

PL1 and RQP6 Hose simply pushes on to 800 Series couplings. Clamps are required for critical applications, and when Working Pressure exceeds 50% of the Maximum Static Working Pressure. Do not overtighten Clamps as this will damage hose.

801 PAGE 177	811 PAGE 177	809 PAGE 178	803 JIC 853 SAE PAGE 179	874 PAGE 180	820 PAGE 181	802 PAGE 177	804 JIC 854 SAE PAGE 179	806 PAGE 177
BSPT MALE	BSPP O RING MALE	NPT MALE	JIC / SAE MALE	SAE INVERTED FLARE MALE	UN O RING MALE (O RING BOSS)	BSPP FEMALE	JIC / SAE FEMALE	BSPP FEMALE 45° ELBOW

805 PAGE 177	807 JIC 857 SAE PAGE 179	824 PAGE 179	890 PAGE 179	823 PAGE 180	818 PAGE 180	864 PAGE 180	810 PAGE 181
BSPP FEMALE 90° ELBOW	JIC / SAE FEMALE 90° ELBOW	JIC FEMALE 90° TUBE BEND	JOINER	SALVAGE (LIFE SAVER)	IMPERIAL STANDPIPE	METRIC STANDPIPE	200 AIR COUPLING NIPPLE

3300 SUCTION AND RETURN COUPLINGS FOR SR AND SRF SERIES HOSE

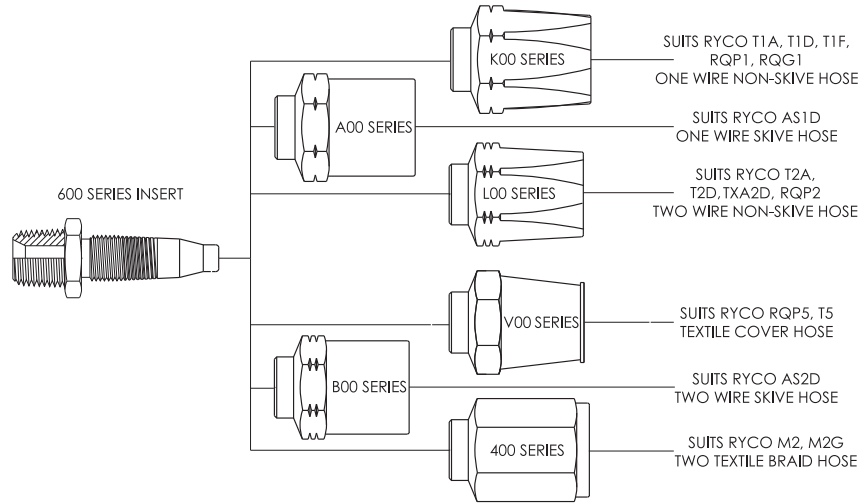
3300 Series Couplings require a suitable Clamp around the outside of the hose.

RSC PAGE 182	3301 PAGE 182	3311 PAGE 182	3309 PAGE 184	3320 PAGE 186	3340 PAGE 183	3341 PAGE 183	3340N PAGE 184	3342 PAGE 186
SUCTION HOSE CLAMP	BSPT MALE	BSPP O RING MALE	NPT MALE	UN O RING MALE (O RING BOSS)	BSPT MALE 90° ELBOW	BSPP O RING MALE 90° ELBOW	NPT MALE 90° ELBOW	UN O RING MALE (O RING BOSS) 90° ELBOW

3302 PAGE 183	3302F PAGE 183	3304 PAGE 184	3313 PAGE 185	3315 PAGE 185	3317 PAGE 185
BSPP FEMALE	BSPP FEMALE FLAT FACE	JIC FEMALE	CODE 61 FLANGE	CODE 61 FLANGE 45° TUBE BEND	CODE 61 FLANGE 90° TUBE BEND

FIELD ATTACHABLE FERRULES FOR 600 SERIES INSERTS

The RYCO Field Attachable system consists of six ferrule styles, each specific to a hose type, and one common Insert. Field attachable Inserts and Ferrules can be ordered individually, or as a complete coupling for specific hose types.



	A00 PAGE 202	B00 PAGE 202	K00 PAGE 202	L00 PAGE 202	V00 PAGE 188	400 PAGE 202
FERRULES						
	SUITS RYCO AS1D ONE WIRE SKIVE HOSE	SUITS RYCO AS2D TWO WIRE SKIVE HOSE	SUITS RYCO T1A, T1D, T1F, RQP1, RQG1 ONE WIRE NON-SKIVE HOSE	SUITS RYCO T2A, T2D, TXA2D, T2D, RQP2 TWO WIRE NON-SKIVE HOSE	SUITS RYCO RQP5, T5 TEXTILE COVER HOSE	SUITS RYCO M2 TWO TEXTILE BRAID HOSE

600 SERIES FIELD ATTACHABLE INSERTS

600 Series Inserts for A00, B00, K00, L00, V00 and 400 ferrules.

Common V00 Series are indicated in parentheses below Insert Group designation eg. (V01)

	601 PAGE 204 (V01)	632 PAGE 205	609 PAGE 208 (V09)	609E PAGE 208	686M PAGE 208	603 PAGE 209 (V03)	665 PAGE 212	663 PAGE 213	653 PAGE 215 (V53)
MALE STRAIGHT									
	BSPT MALE	BSPT MALE SWIVEL	NPT MALE	NPT MALE EXTENDED	GREASE LINE MALE	JIC MALE	METRIC DKL MALE 24° CONE	METRIC DKS MALE 24° CONE	SAE MALE

	674 PAGE 215 (V74)	620 PAGE 219 (V20)	638 PAGE 219					
MALE STRAIGHT cont'd								
	SAE INVERTED MALE FLARE	UN O RING MALE (O RING BOSS)	UN O RING MALE SWIVEL (O RING BOSS)					

	675 PAGE 216 (V75)	676 PAGE 216	634 PAGE 205	678 PAGE 215	679 PAGE 215	639 PAGE 219	677 PAGE 216 (V77)
MALE 45°, 60° & 90°							
	SAE INVERTED MALE FLARE 45° TUBE BEND	SAE INVERTED MALE FLARE 60° TUBE BEND	BSPT MALE SWIVEL 90° ELBOW	SAE INVERTED MALE FLARE 90° ELBOW	SAE INVERTED MALE FLARE 90° EXTENDED ELBOW	UN O RING MALE SWIVEL (O RING BOSS) 90° ELBOW	SAE INVERTED MALE FLARE 90° TUBE BEND

600 SERIES FIELD ATTACHABLE INSERTS (continued)

600 Series Inserts for A00, B00, K00, L00, V00 and 400 ferrules.
Common V00 Series are indicated in parentheses below Insert Group designation eg. (V01)

FEMALE STRAIGHT	602 PAGE 204 (V02)	602F PAGE 205	612 PAGE 206/211	696 PAGE 208	686 PAGE 208	604 PAGE 209 (V04)	660 PAGE 212	671 PAGE 213	668 PAGE 211/213	
	BSPP FEMALE	BSPP FEMALE FLAT FACE	BSPP FEMALE 60° CONCAVE SEAT (JIS)	NPSM FEMALE LIVE SWIVEL	GREASE LINE FIXED FEMALE	JIC FEMALE	METRIC DKL FEMALE 24°/60° CONE	METRIC DKOS FEMALE 24° CONE	METRIC FEMALE 60° CONCAVE SEAT (JIS) KOMATSU	
FEMALE STRAIGHT cont'd	680 PAGE 214 (V80)	654 PAGE 215 (V54)								
	ORFS FEMALE	SAE FEMALE								
FEMALE 45°	606 PAGE 206	608 PAGE 209	658 PAGE 215	627 PAGE 207 (V27)	625 PAGE 210 (V25)	666 PAGE 212	672 PAGE 213	681 PAGE 214 (V81)	655 PAGE 215 (V55)	
	BSPP FEMALE 45° ELBOW	JIC FEMALE 45° ELBOW	SAE FEMALE 45° ELBOW	BSPP FEMALE 45° TUBE BEND	JIC FEMALE 45° TUBE BEND	METRIC DKL FEMALE 24°/60° CONE 45° TUBE BEND	METRIC DKOS FEMALE 24° CONE 45° TUBE BEND	ORFS FEMALE 45° TUBE BEND	SAE FEMALE 45° TUBE BEND	
FEMALE 90°	605 PAGE 206	605F PAGE 205	607 PAGE 209 (V07)	657 PAGE 215	626 PAGE 207 (V26)	621 PAGE 207	631 PAGE 206/211	624 PAGE 210 (V24)	628 PAGE 210 (V28)	
	BSPP FEMALE 90° ELBOW	BSPP FEMALE FLAT FACE 90° ELBOW	JIC FEMALE 90° ELBOW	SAE FEMALE 90° ELBOW	BSPP FEMALE 90° TUBE BEND	BSPP FEMALE 90° LONG BEND	BSPP FEMALE 60° CONCAVE SEAT (JIS) 90° TUBE BEND	JIC FEMALE 90° TUBE BEND	JIC FEMALE 90° LONG BEND	
FEMALE 90° cont'd	667 PAGE 212	673 PAGE 213	682 PAGE 214 (V82)	683 PAGE 214 (V83)	656 PAGE 215 (V56)	656L PAGE 215				
	METRIC DKL FEMALE 24°/60° CONE 90° TUBE BEND	METRIC DKOS FEMALE 24° CONE 90° TUBE BEND	ORFS FEMALE 90° TUBE BEND	ORFS FEMALE 90° LONG BEND	SAE FEMALE 90° TUBE BEND	SAE FEMALE 90° LONG BEND				
SAE FLANGE	613 PAGE 216	615 PAGE 216	617 PAGE 216				623 PAGE 217 (V23)	618 PAGE 217	664 PAGE 218	685 PAGE 218
				SALVAGE/ STANDPIPE						
	CODE 61 FLANGE	CODE 61 FLANGE 45° TUBE BEND	CODE 61 FLANGE 90° TUBE BEND				SALVAGE (LIFESAVER)	IMPERIAL STANDPIPE	METRIC STANDPIPE	TUBE BITE